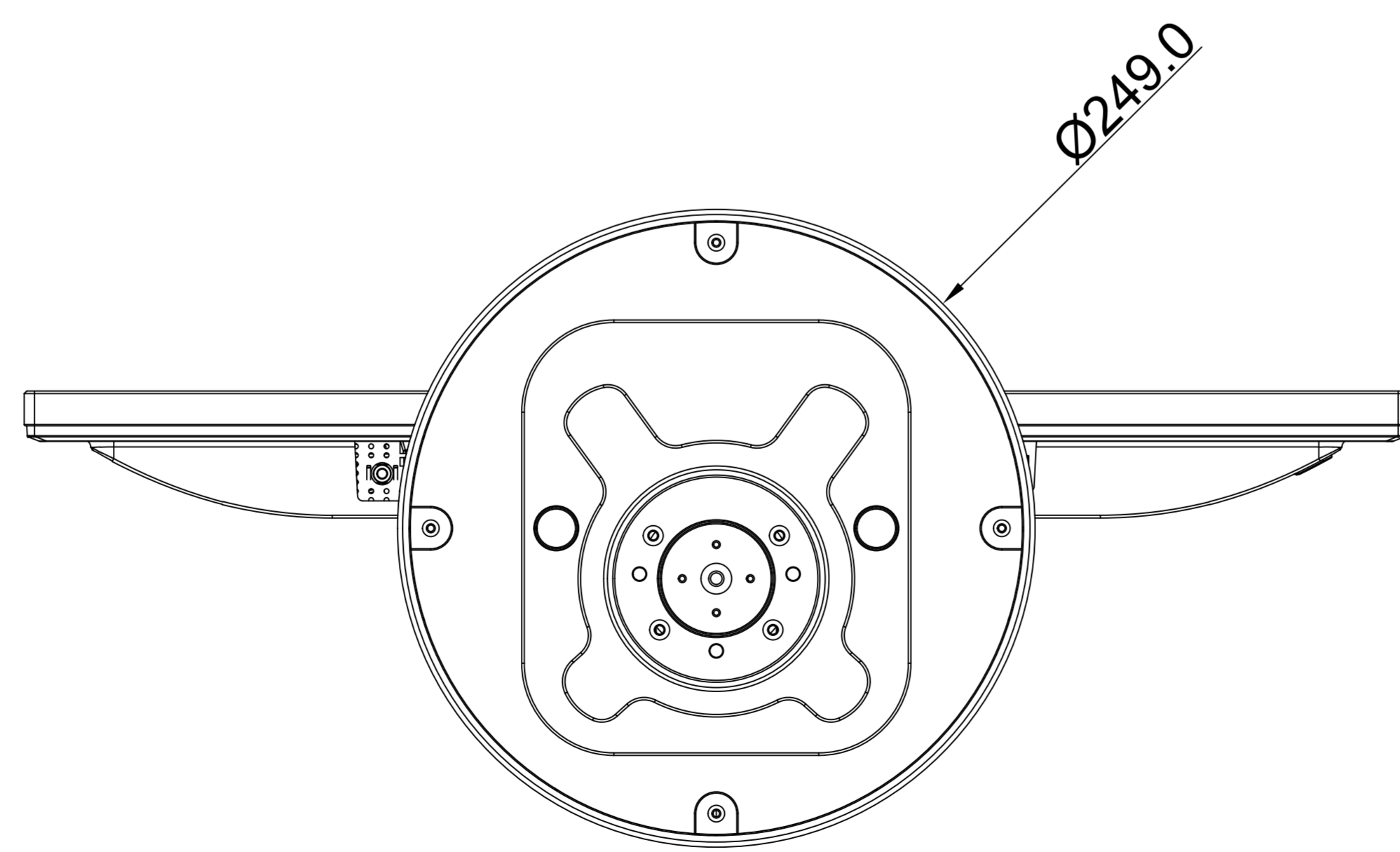
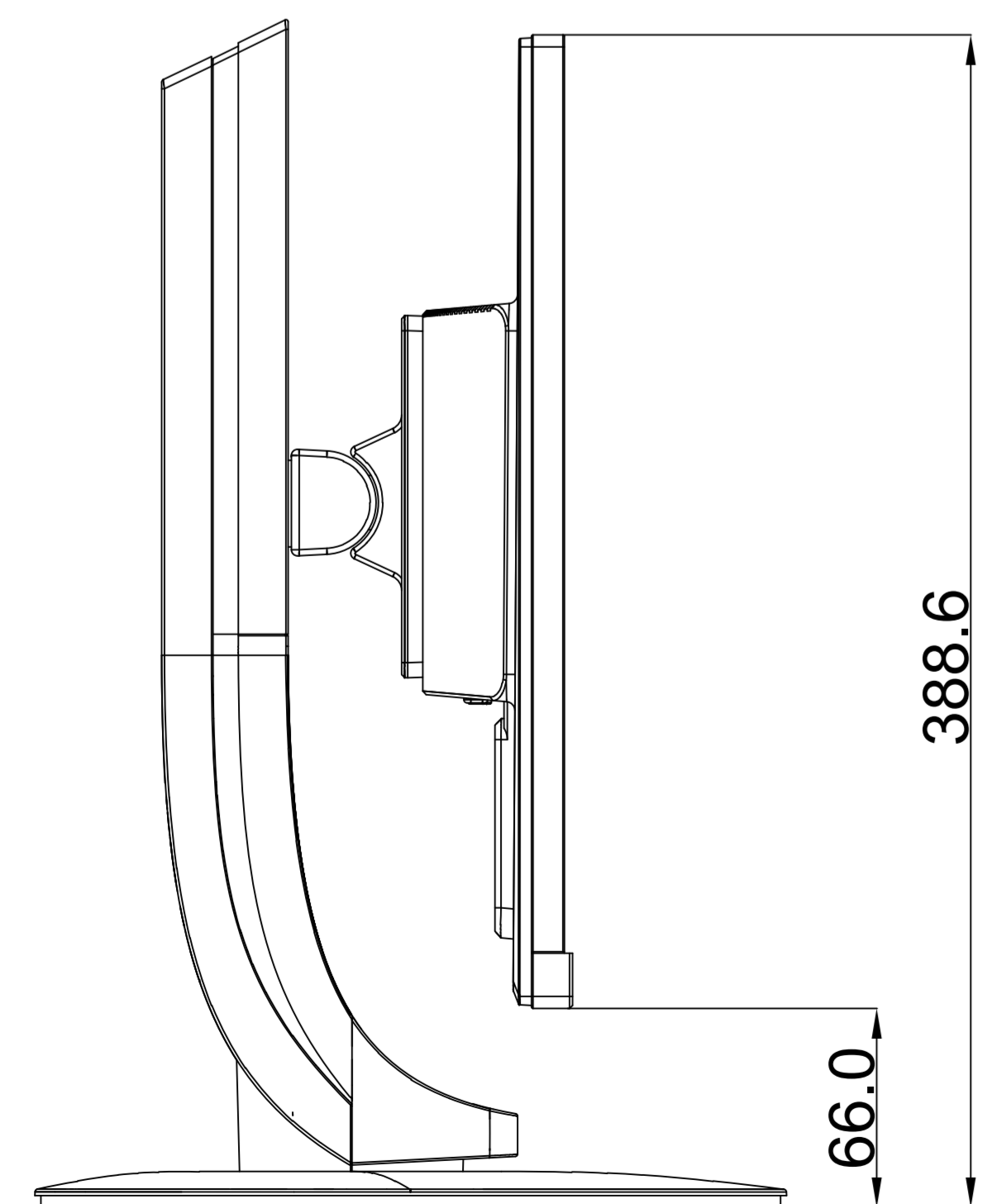
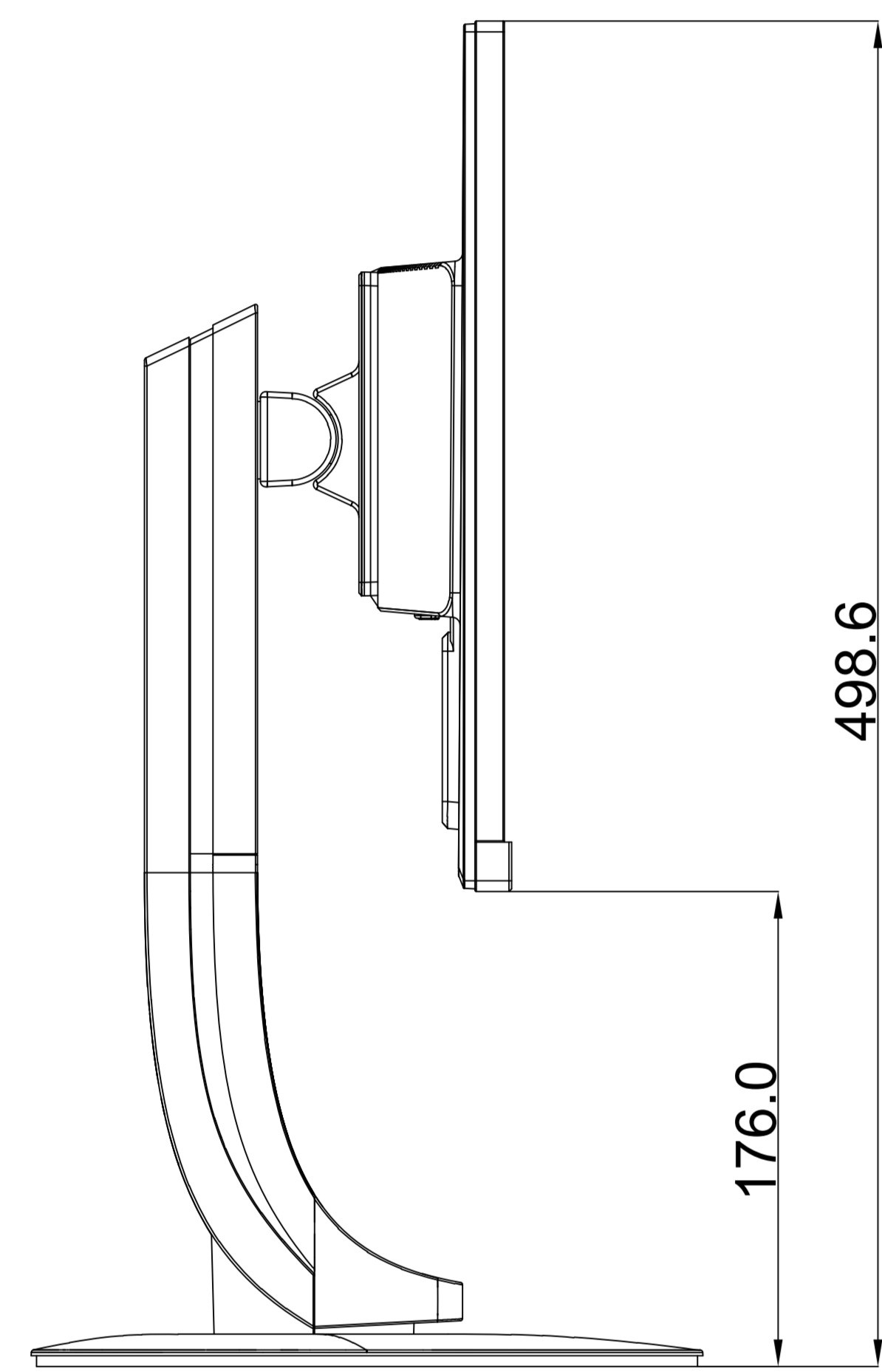
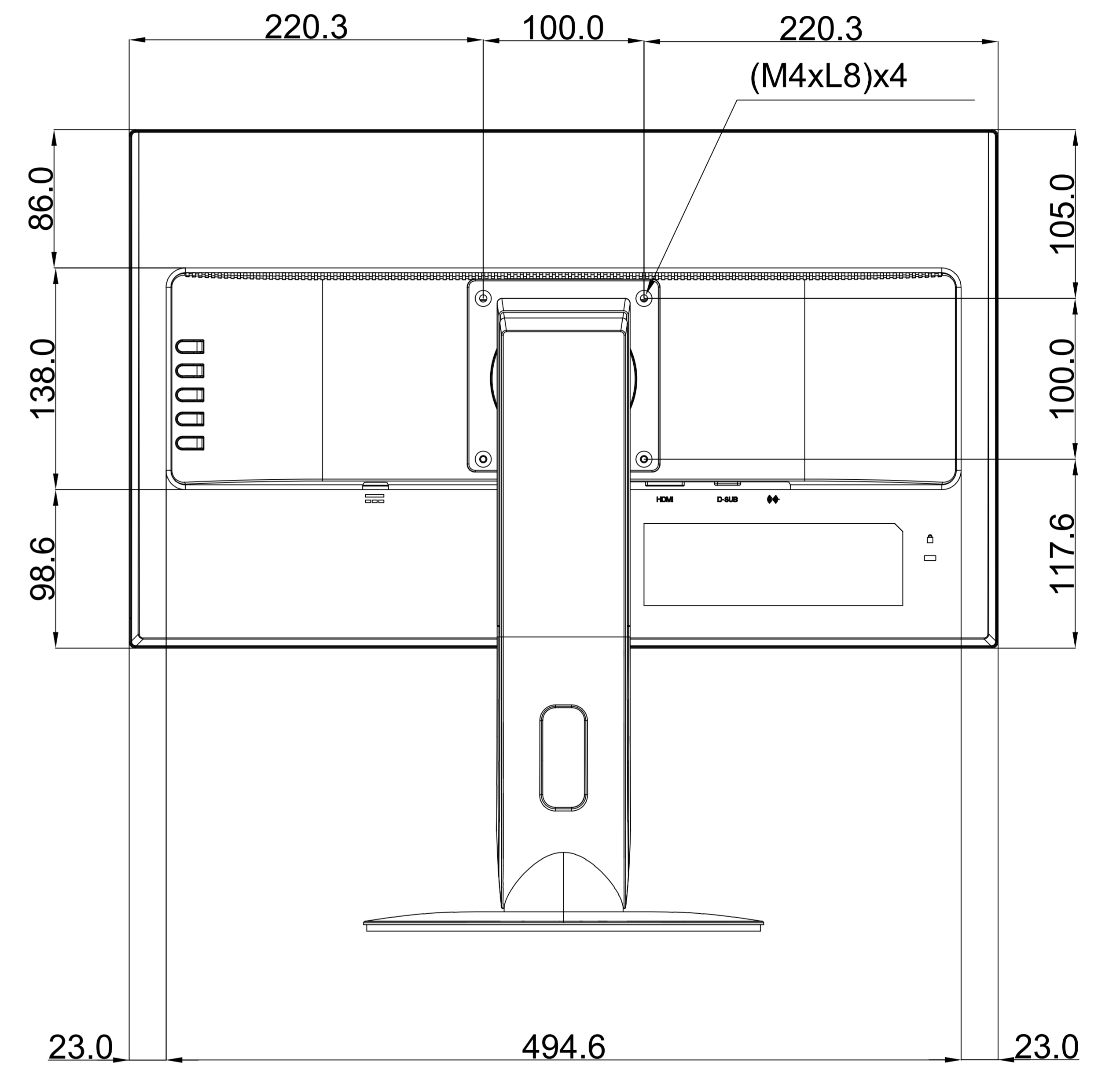
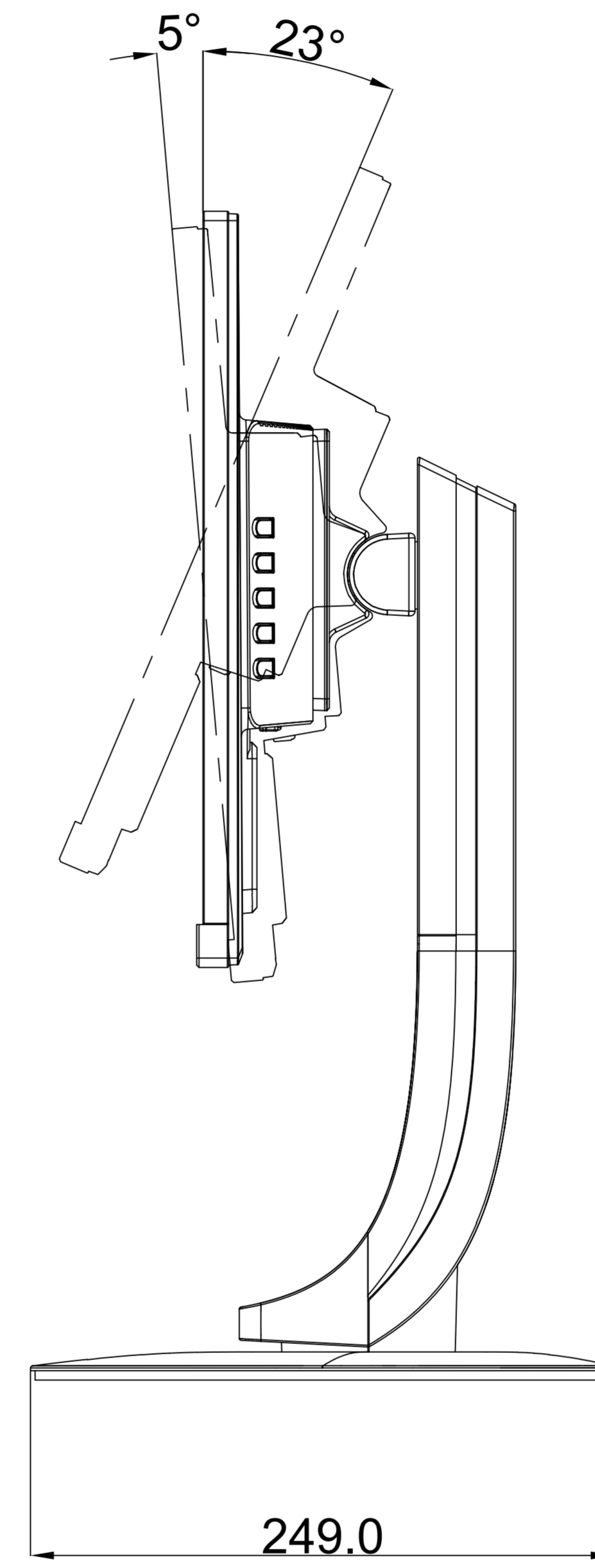
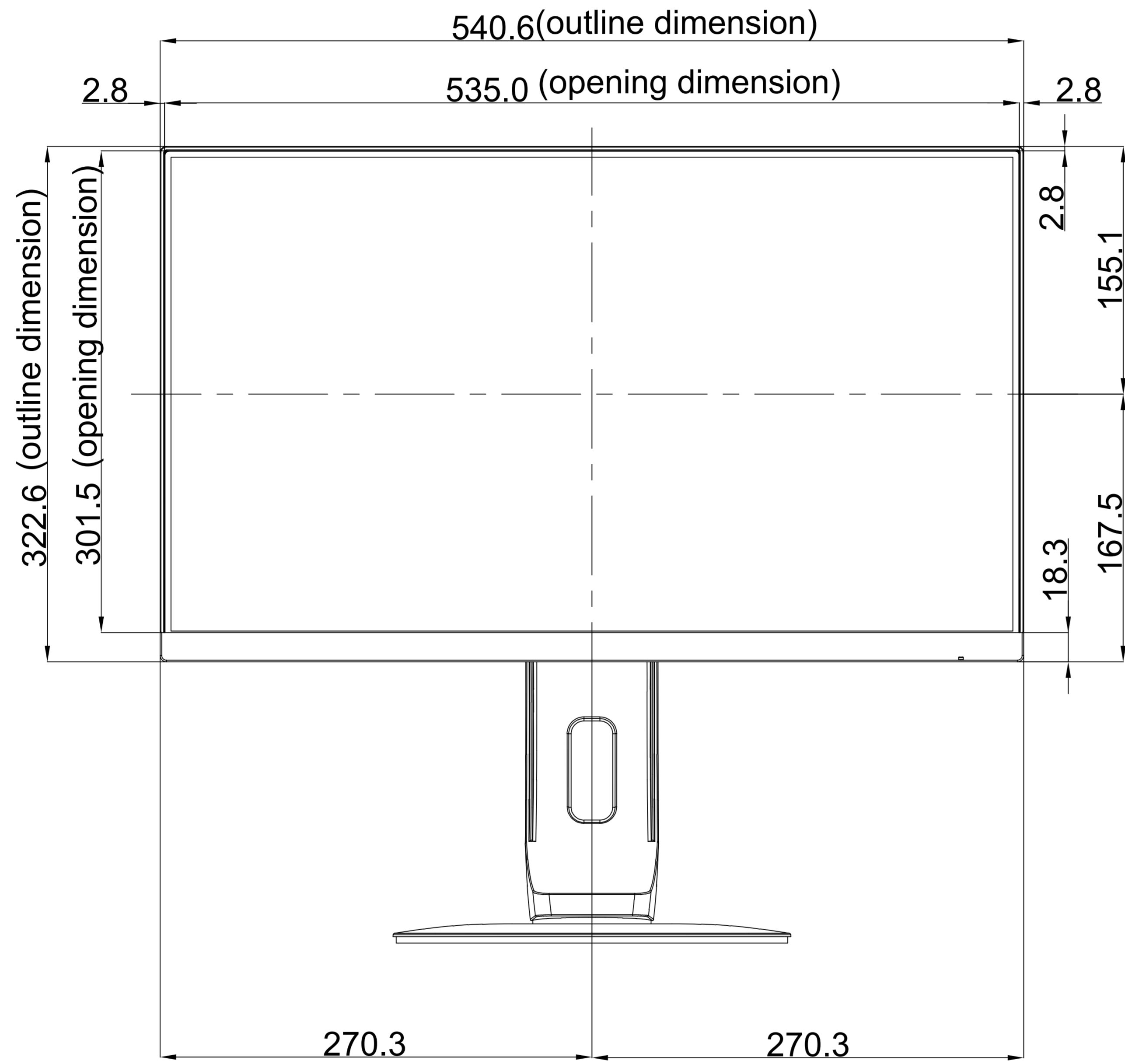


MD-24
 Net weight : 5.7kg(with stand)
 3.3kg(w/o stand)



SPECIFICATIONS SUBJECT TO CHANGE WITHOUT NOTICE.



Model Name:
MD-24

THIS DRAWING ON THIS PRINT AND INFORMATION BELONG WITH AG Neovo.
 ANY REPRODUCTION IN PART OR WHOLE WITHOUT WRITTEN PERMISSION
 OF AG Neovo IS PROHIBITED.

P/C:MD24A0
 SCALE 1:1 UNITS mm V.02